



## Rainwater Harvesting

### Required Materials

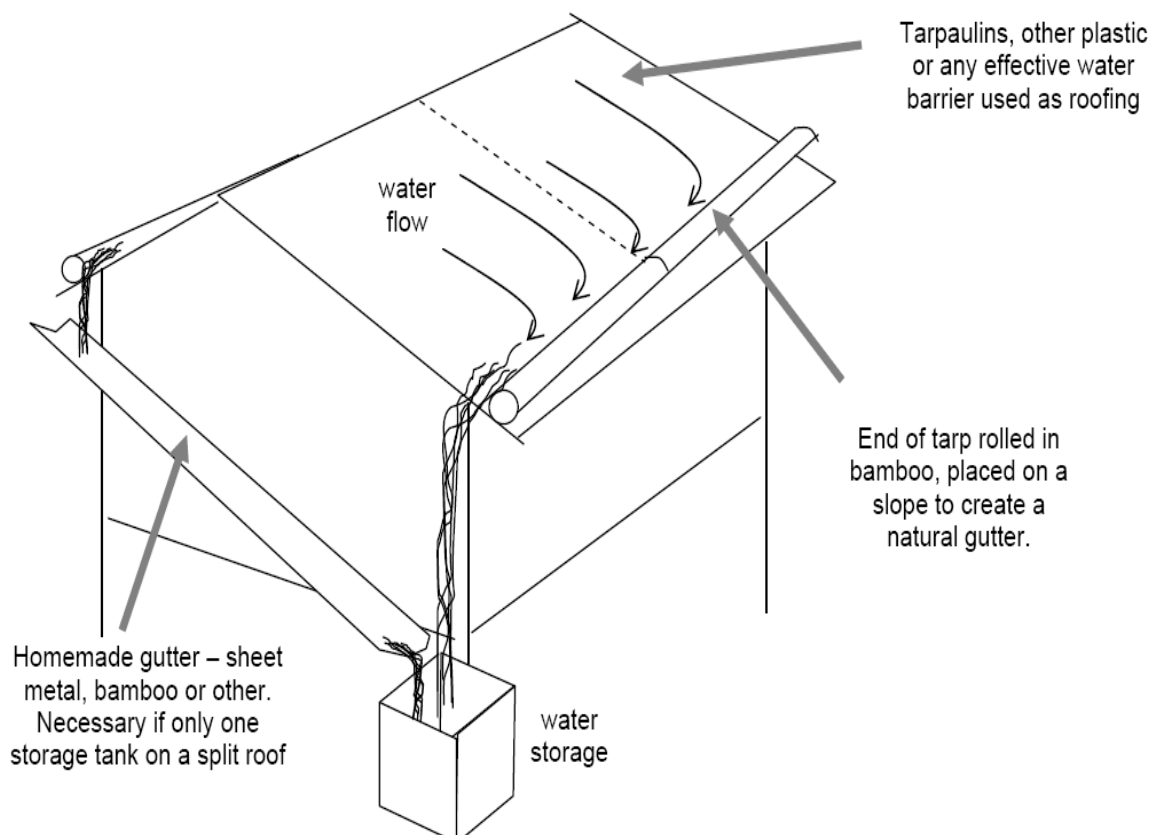
1. Tarpaulin sheet or plastic sheet
2. Bamboo or wooden poles
3. Collecting container

\* All materials must be clean before used.

---

### Roof Mounted Collection

When a house like the following is available, tarpaulin or plastic sheets are mounted on the roof as shown.





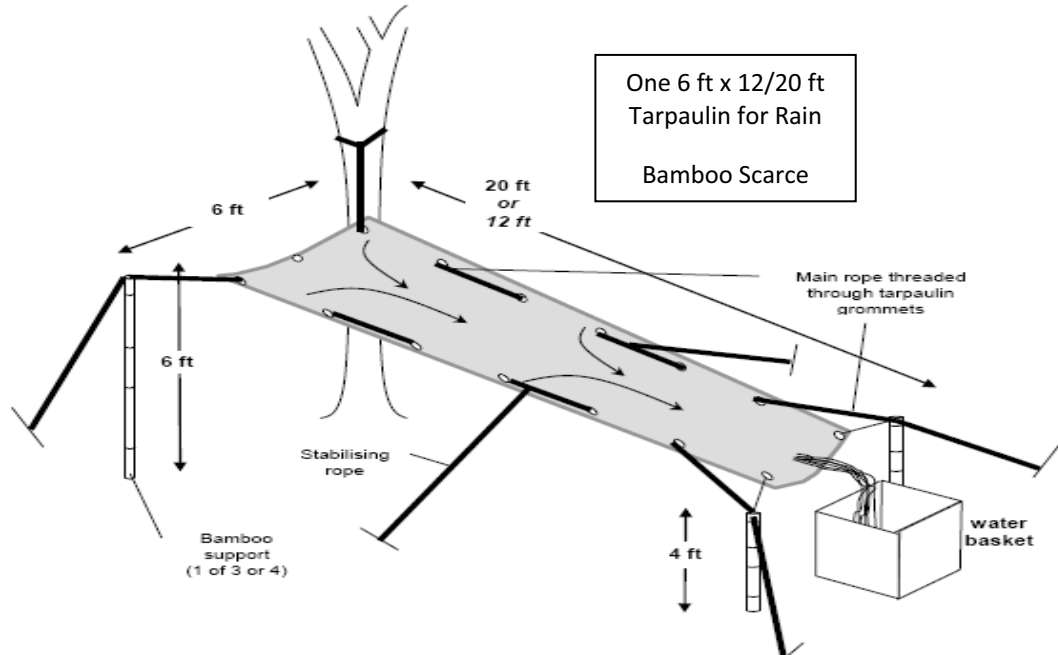
# Burma Rescue

Aid Resources for  
Nargis Relief and Recovery Projects



When a house is not available after the devastated cyclone, the following methods can be used.

**Using one tarpaulin sheet while bamboo supply is limited**



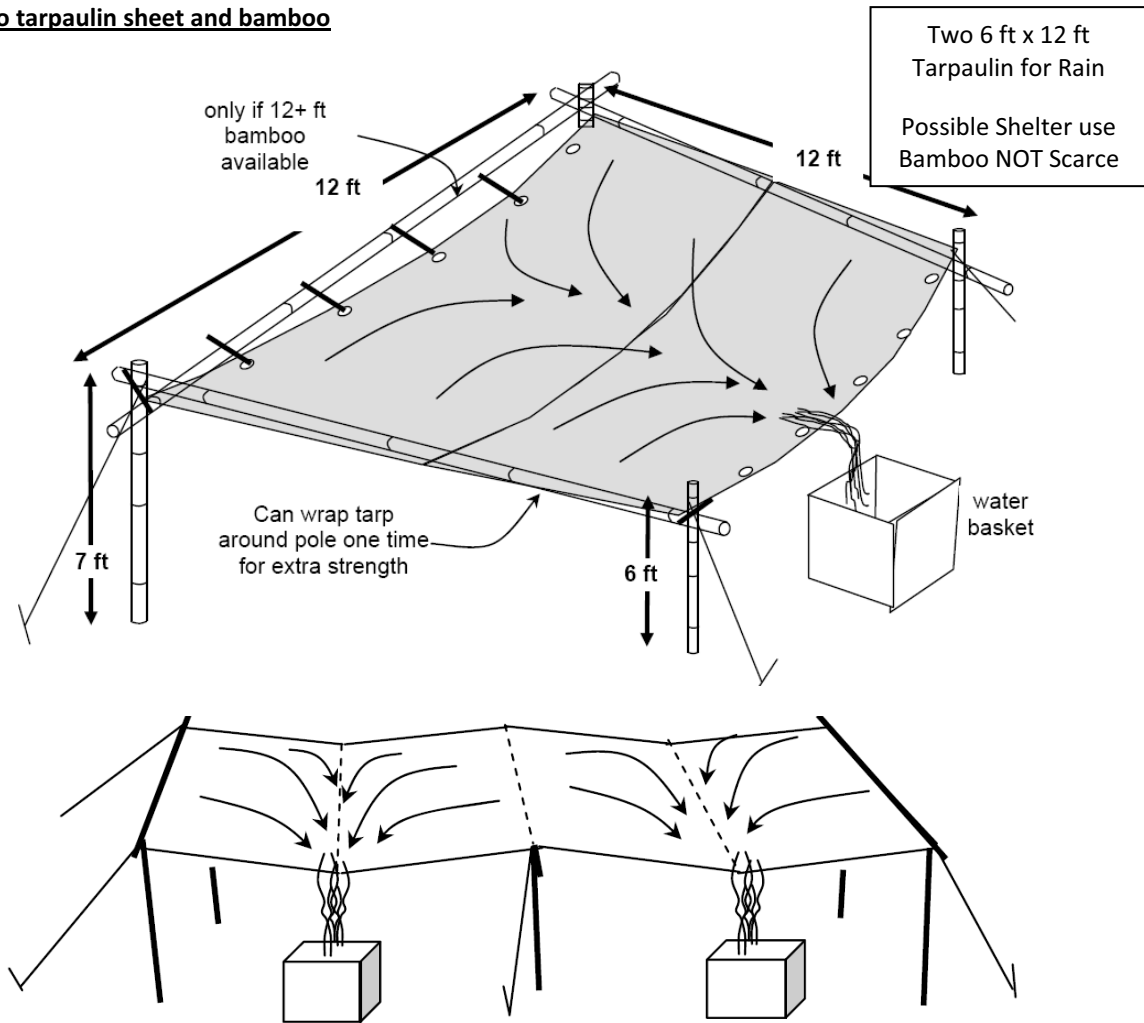


# Burma Rescue

Aid Resources for  
Nargis Relief and Recovery Projects



## Using two tarpaulin sheet and bamboo



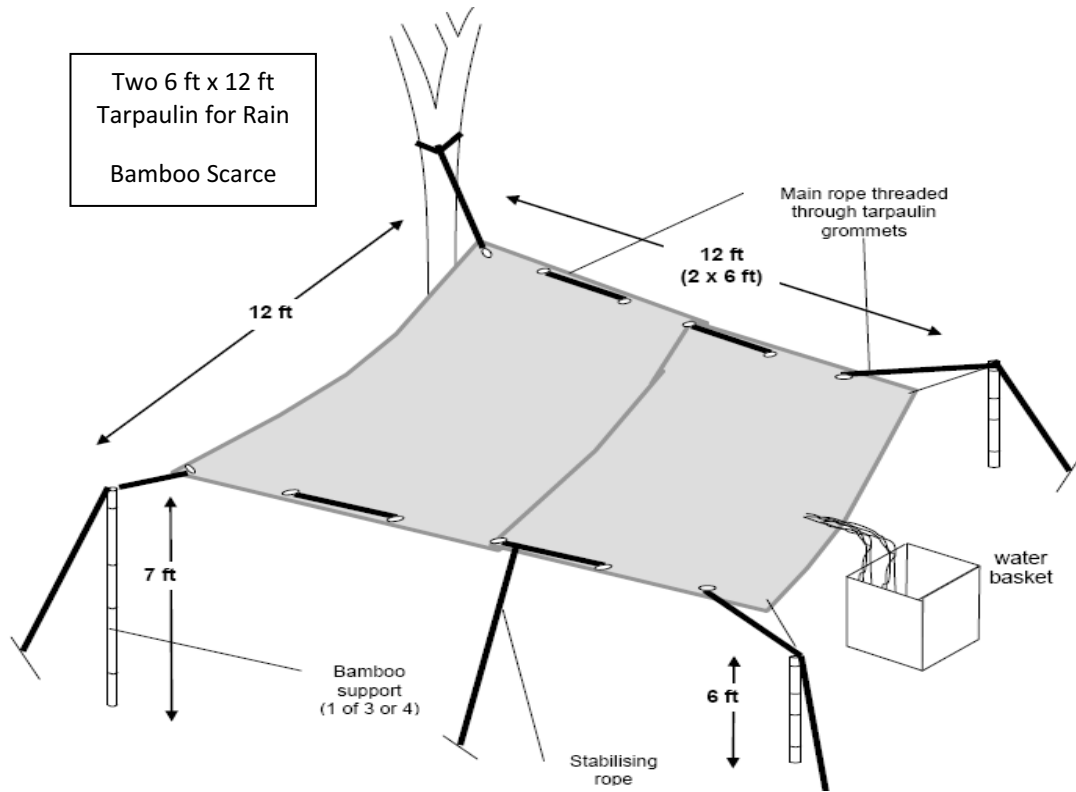


# Burma Rescue

Aid Resources for  
Nargis Relief and Recovery Projects



## Using two tarpaulin sheet while bamboo supply is limited



## Reference:

Extracted from Humanitarian Information Center for Myanmar. <http://myanmar.humanitarianinfo.org>